

1-CHANNEL POWER AMPLIFIER (100 V)

RCS

BA-120C

120 W

BA-240C

240 W

BA-480C

480 W

High-quality ball-bearing fan ensures quiet running and long service life.



Description

These 19" 1-channel power amplifiers are ideal for the use in professional audio applications with 100 V line systems. The devices are manufactured in state-of-the-art production processes using high-quality components such as toroidal transformers.

They have been designed for continuous operation. They are absolutely short circuit and open circuit proof and are equipped with all relevant protection devices.

The power supply is raised by AC 230 V mains or by DC 24 V (emergency power supply). The multicoloured LED indicators located on the front panel continuously indicate the operating status of the amplifier including protection functions and possible dangers.

Please consider the following features:

- The amplifiers are equipped with a ball-bearing fan which minimizes running noise and ensures maximum service life.
- Although the devices have different output power ratings (120, 240, 480 W), they all have the same design and identical dimensions.
- The amplifiers have electronically balanced inputs on screw-type connectors. Possible hum pick-up from ground loops is avoided through the balanced inputs and outputs.
- All models feature „SOFT START“ and a special circuit which suppresses unpleasant switch-on noise.

- The multicoloured LED indicators located on the front panel continuously indicate the operating status of the amplifier including protection functions and possible dangers.
- The speaker outputs are designed for 100 V lines.

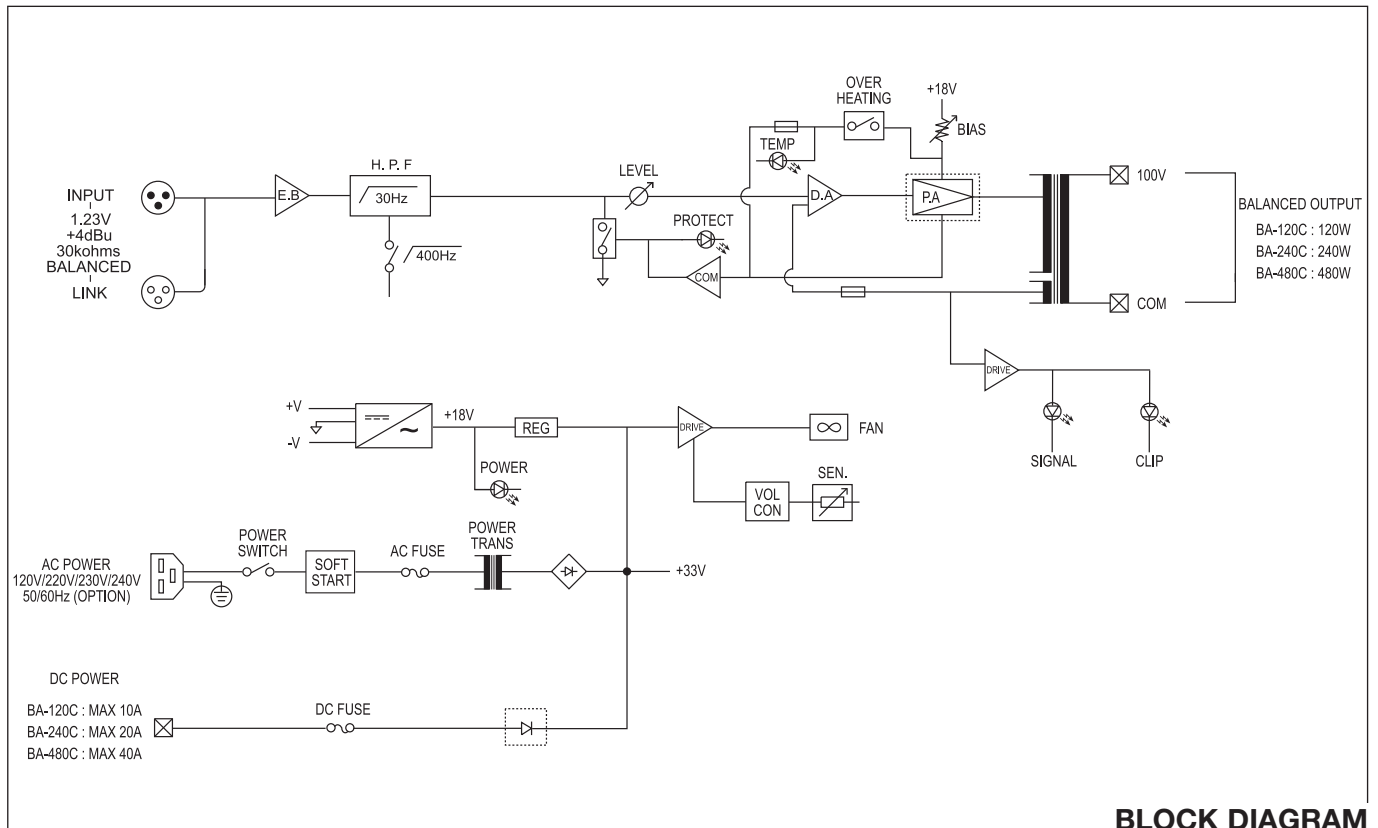
*

Model designations

1-Channel Power Amplifier, (120 W RMS, 2 RU). **BA-120 C**

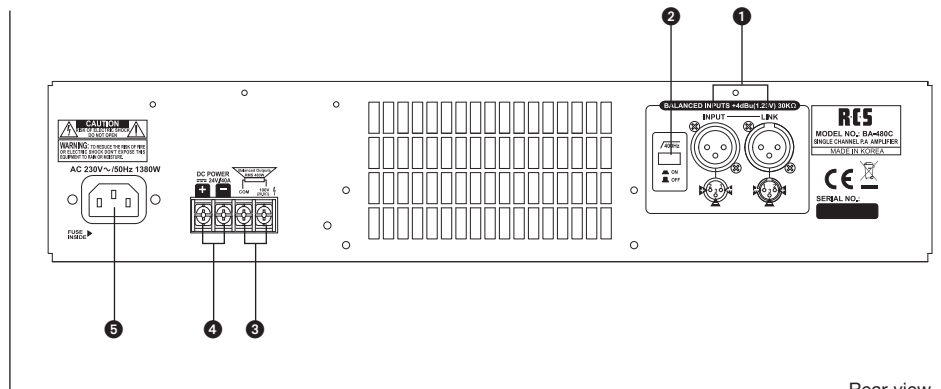
1-Channel Power Amplifier, (240 W RMS, 2 RU). **BA-240 C**

1-Channel Power Amplifier, (480 W RMS, 2 RU). **BA-480 C**



BLOCK DIAGRAM

- 1 Input on XLR-sockets
- 2 Switch for high-pass filter 400 Hz
- 3 Screw-type connectors speaker outputs
- 4 24 V DC power supply terminal
- 5 IEC power inlet (cold condition)



Rear view

Technical data	BA-120 C	BA-240 C	BA-480 C
Output power	120 W (RMS)	240 W (RMS)	480 W (RMS)
Input sensitivity	+4 dB (1,23 V), 30 kohms, balanced		
Output impedance	100 V		
Frequency response	35 ~ 20.000 Hz (better than -3 dB)		
Signal-to-noise ratio	better than 100 dB		
THD at 1 kHz	better than 1%		better than 2%
Input filter	400 Hz /-3 dB		
Power consumption	335 W	650 W	1380 W
Current consumption (230 V)	0.7 A at 1/8 power current draw 1.7 A at rated power current draw	1.4 A at 1/8 power current draw 3.3 A at rated power current draw	3 A at 1/8 power current draw 6.7 A at rated power current draw
AC power supply	230 V, 50 – 60 Hz		
DC power supply	24 V (emergency power supply)		
Dimensions (W x H x D in mm)	483 x 88 x 374, 2 RU		
Weight	approx. 10,5 kg	approx. 12,5 kg	approx. 15,5 kg